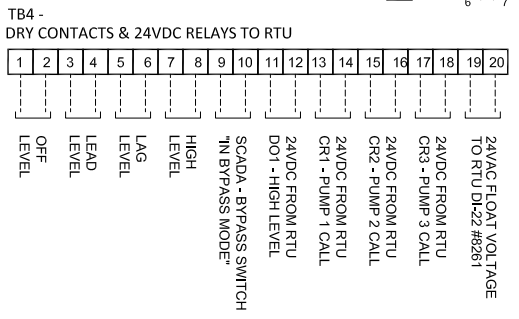
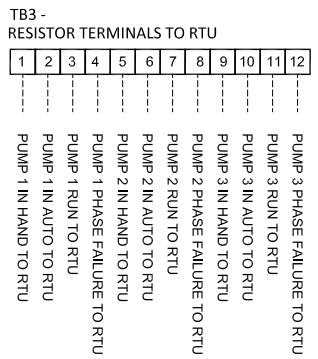
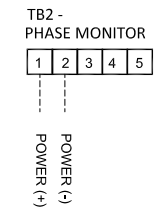
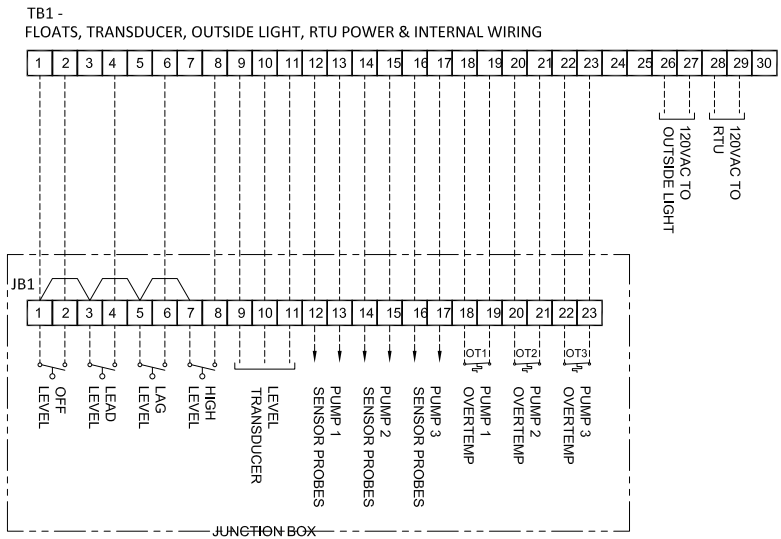
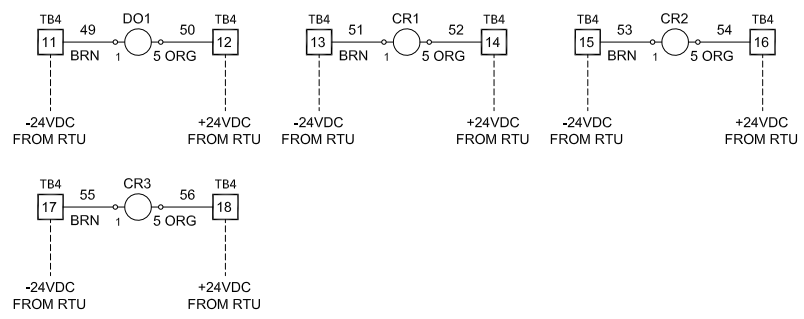


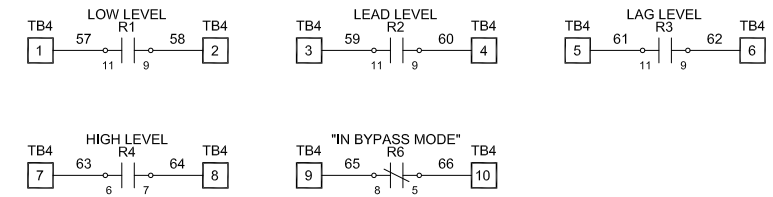
TERMINAL BLOCK LAYOUT:



24VDC RELAYS TO RTU CABINET (BY OTHERS):



DRY CONTACTS FOR MONITORING BY RTU (YELLOW WIRES):



- TO TELEMETRY**
1. ALL ALARM POINTS ARE NORMALLY OPEN WITH NO ALARM STATE.
 2. PUMP 1 POWER, PUMP 2 POWER, PUMP 3 POWER AND CONTROL POWER CLOSE IF CIRCUIT BREAKER TRIPS OR IS TURNED OFF.



CITY OF COCOA
Brevard County, Florida
UTILITIES DEPARTMENT
ENGINEERING DIVISION

**TRIPLEX PUMP STATION WIRING
SCHEMATIC AND TERMINAL BLOCK LAYOUT**

DRAWN BY: ADK	SCALE: NOT TO SCALE
CHECKED BY: KSK	DATE: JULY 2021
DESIGN BY:	SHEET: 8 OF 8
ACAD NAME: TRIPLEX PUMP STATION TERMINAL BLOCK 3	