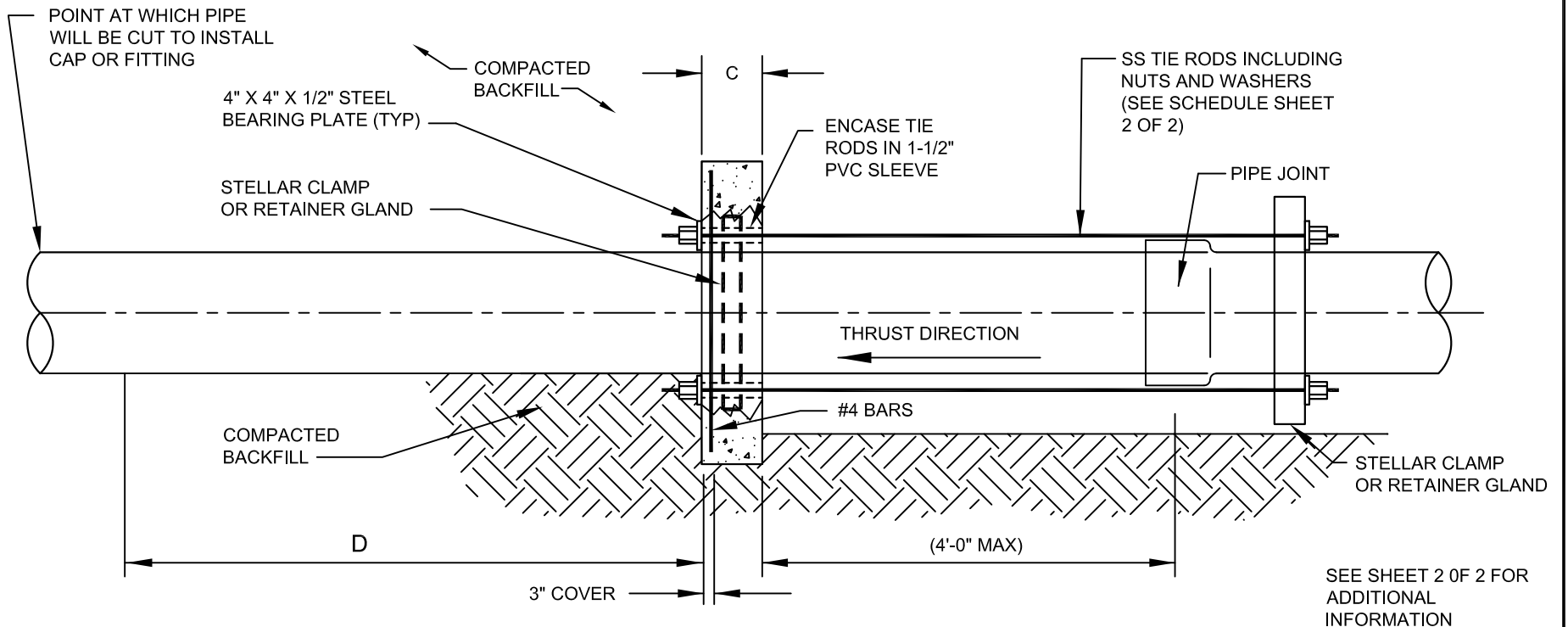
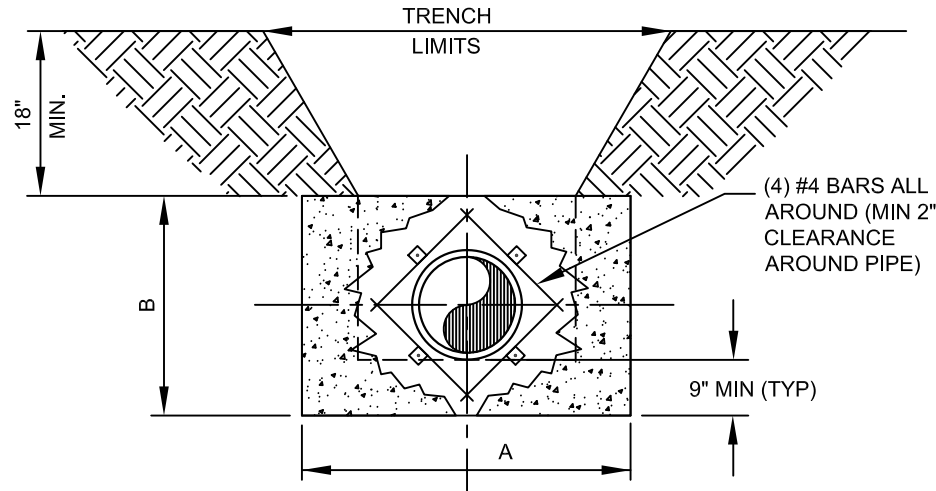


PROFILE VIEW



SEE SHEET 2 OF 2 FOR  
ADDITIONAL  
INFORMATION



**CITY OF COCOA**  
Brevard County, Florida  
UTILITIES DEPARTMENT  
ENGINEERING DIVISION

# THRUST COLLAR WATER AND RECLAIMED

DRAWN BY: J. WILLIAMS	SCALE: NOT TO SCALE
CHECKED BY: P. DAVIS	DATE: JULY 2021
DESIGN BY:	SHEET: 1 OF 2
ACAD NAME: THRUST COLLAR WATER AND RECLAIMED 1 OF 2	